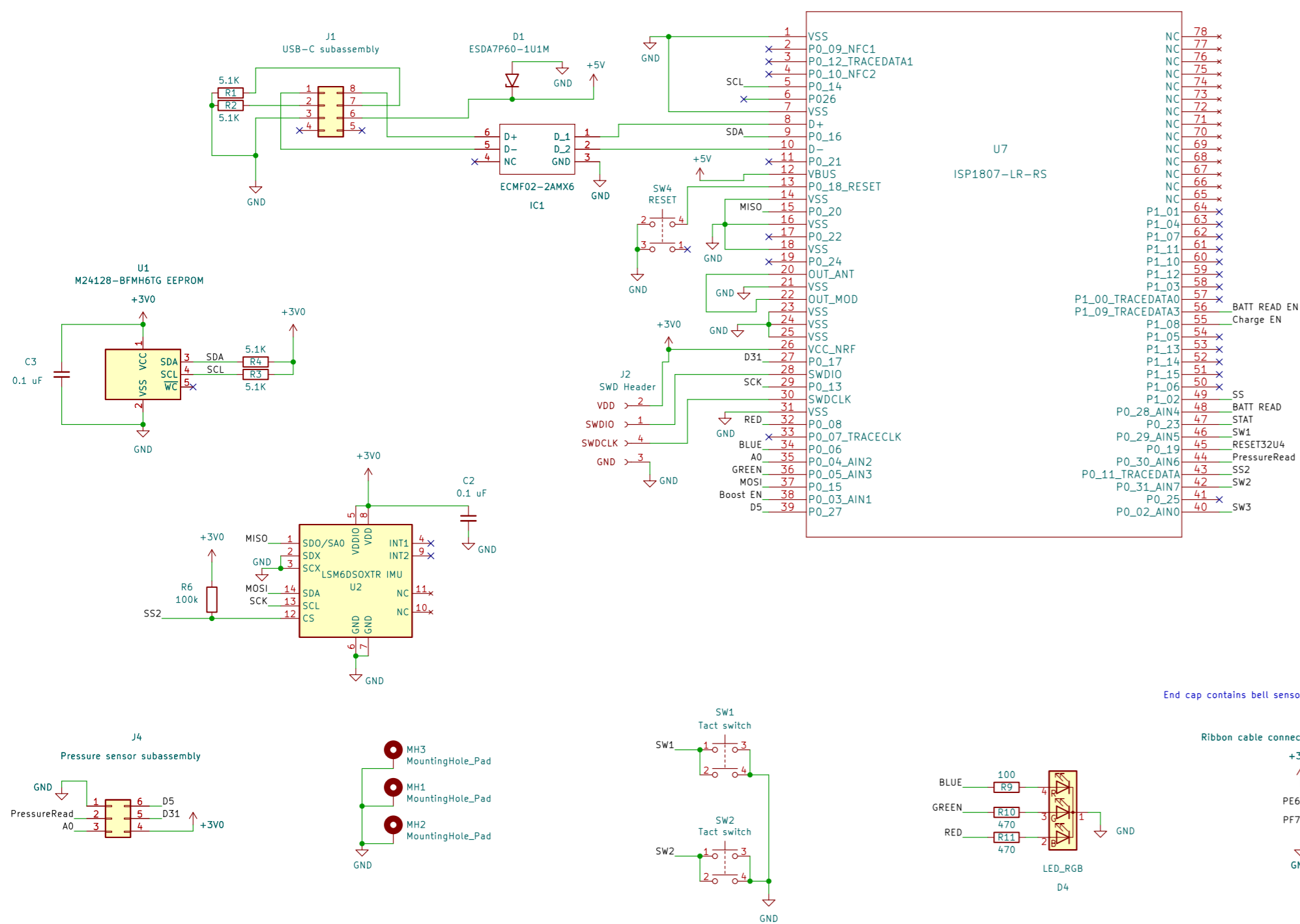
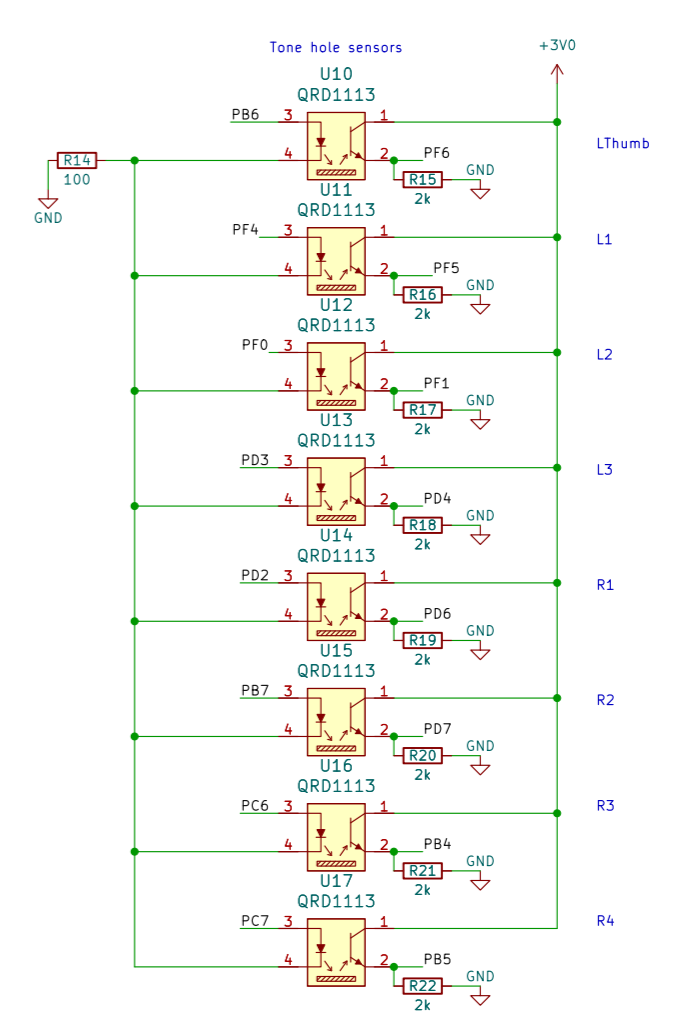
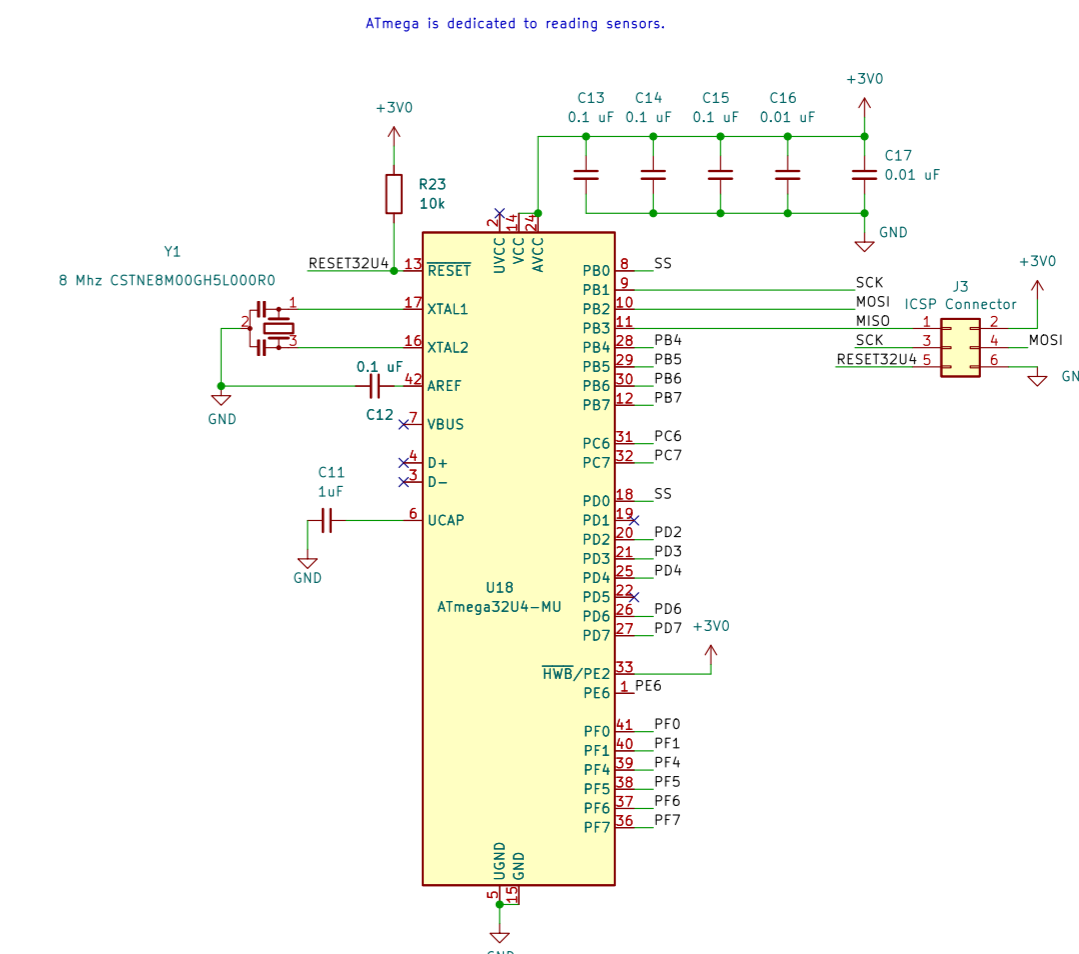


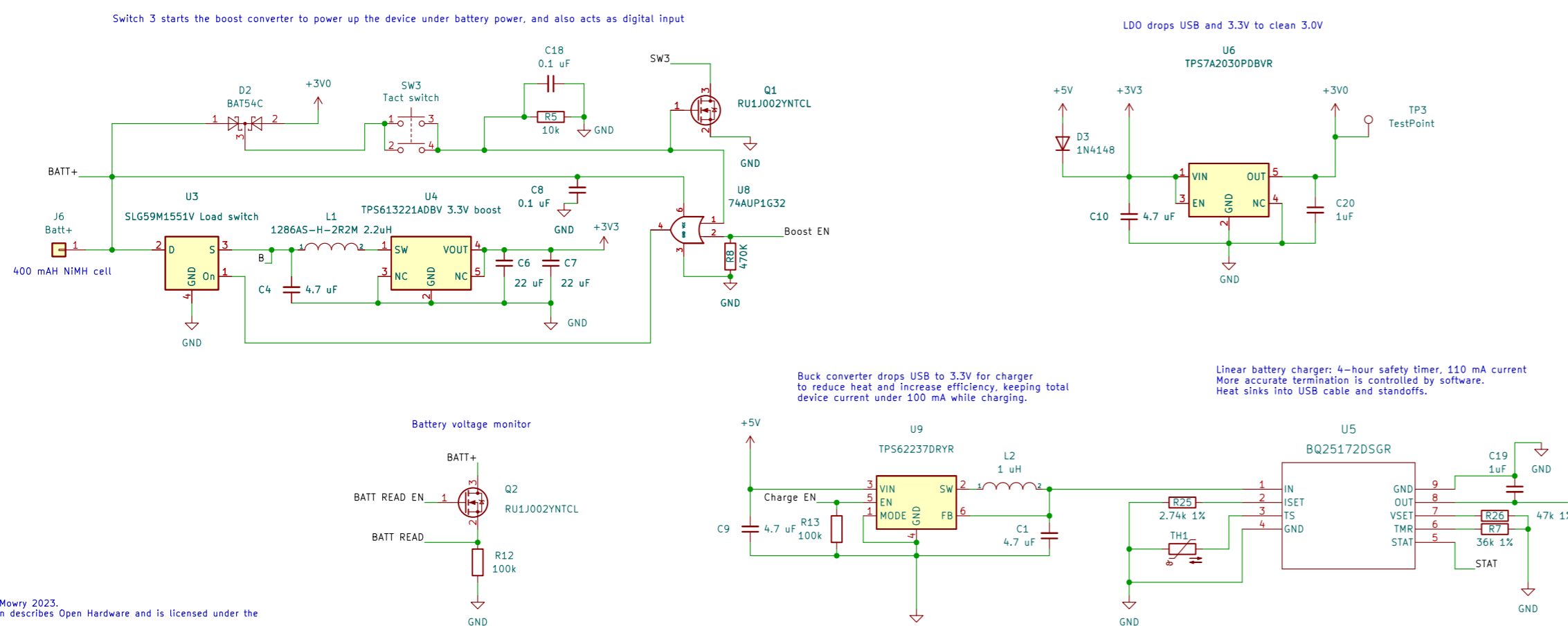
## NRF52840 and peripherals



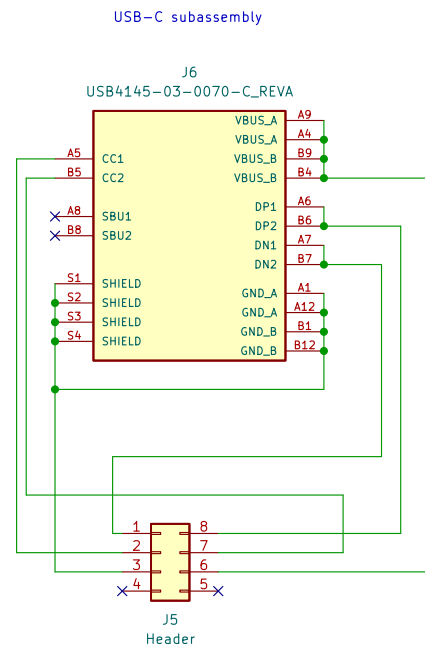
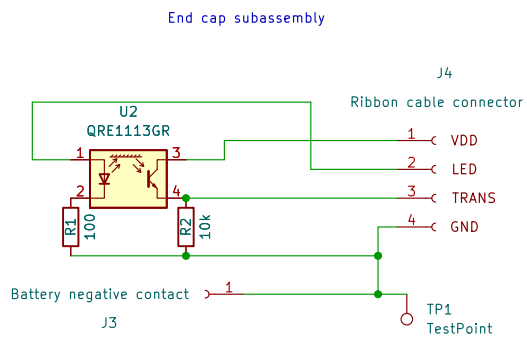
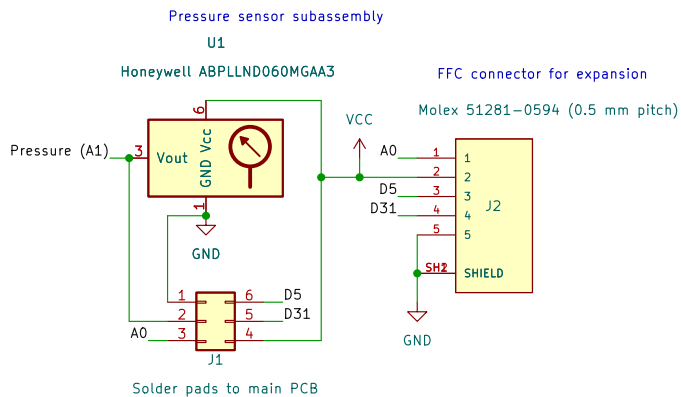
## ATmega32U4 and tone hole sensors



## Power and battery management



Copyright Andrew Mowry 2023.  
This documentation describes Open Hardware and is licensed under the CERN OHL v. 1.2.  
You may redistribute and modify this documentation under the terms of the CERN OHL v.1.2. (https://ohw.org/cernohl). This documentation is distributed WITHOUT ANY EXPRESS OR IMPLIED WARRANTY, INCLUDING OF MERCHANTABILITY, SATISFACTORY QUALITY AND FITNESS FOR A PARTICULAR PURPOSE. Please see the CERN OHL v.1.2 for applicable conditions



Mowry Stringed Instruments

Sheet: /  
File: WARBL\_subassemblies\_schematics.kicad\_sch

**Title: WARBL2 Subassemblies**

Size: A4 Date: 2024-04-12

KiCad E.D.A. kicad (6.0.8)

**Rev: 4.8**

Id: 2/1